

# HYGROFLEX3



## THE ADVANCED HVAC TRANSMITTER.

INTRODUCING AIRCHIP DIGITAL TECHNOLOGY.

### INNOVATION IN HUMIDITY AND TEMPERATURE MEASUREMENT

- Relative humidity, temperature measurement and dew point calculation
- Outstanding accuracy and repeatability
- Hygromer® IN-1 humidity sensor
- Auto-diagnostics and automatic correction
- Freely selectable and scalable analog outputs
- Also available as hygrostat and thermostat



**rotronic**  
LEADING IN HUMIDITY MEASUREMENT

## SPECIFY THE BEST: HYGROFLEX3 ADVANTAGES AT A GLANCE.

The new HygroFlex3-series is the latest development in HVAC transmitters for relative humidity, temperature and dew point. Based on AirChip3000 technology, the instruments achieve a degree of accuracy not seen before.

In combination with advances in sensor technology and integration, the HygroFlex3-series provides superb precision and state-of-the-art functionality, taking humidity, temperature and dew point measurement to a whole new level of performance and reliability ( $< 2\% \text{ rh} / 0.3 \text{ K}$ ).

### Highly versatile

- One or two selectable and scalable analog outputs
- Analog outputs assignable to relative humidity, temperature or dew point
- 2-wire or 3/4-wire systems available
- Available with two integrated relay contacts for use as a thermo-hygrostat



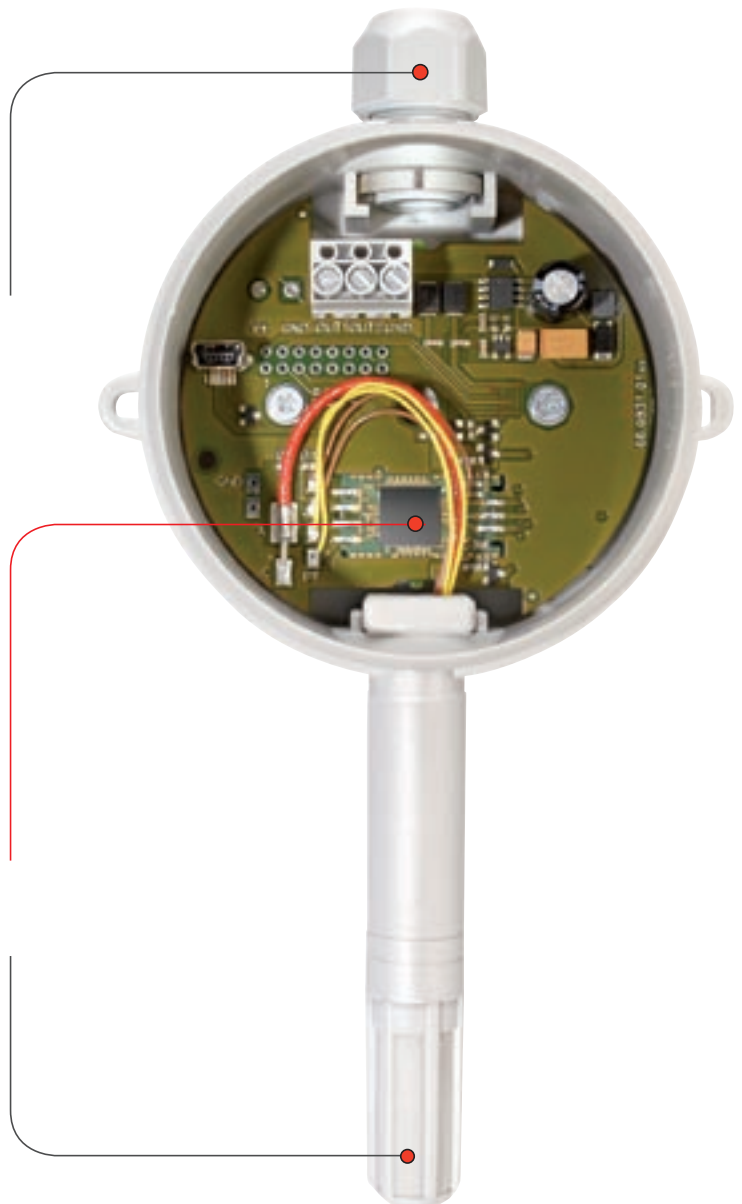
TECHNOLOGY

### AirChip3000

- Compensates humidity and temperature over 30,000 reference points
- 2,000 data point memory
- Dew/frost point calculation
- Sensor auto-diagnostics and automatic correction
- Active alarming and information
- ASIC (Application Specific Integrated Circuit), micro-controller and EEPROM on one chip

### Fast response and precision measurement

- By decoupling the Pt100 temperature sensor from the probe, thermal response is significantly improved
- Use of Pt100 1/3 Class B sensors for maximum accuracy



## APPLICATIONS.

The HygroFlex3-series is ideal for all applications where exact measurement of humidity and temperature is of decisive importance. The transmitters can be used in a variety of fields for heating, ventilation and air conditioning applications, greenhouses, museums, warehouses, libraries, railway stations and for climate control in office buildings.

Thanks to the exceptional long-term stability of the sensors and auto-diagnostics, the transmitters are both service-friendly and reliable and will save you time and money.



**HF3 duct version**

For use in ventilation shafts



**HF3 wall version**

For use in technical equipment rooms



**HF3 space version**

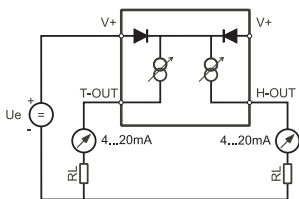
For use in offices and rooms where appearance is important

## OUTPUTS OF THE HYGROFLEX3-SERIES.

The high flexibility of the HygroFlex3-series allows the user to freely select the output parameters and the scale of each output. All you need to do is enter the desired settings using HW4 software. For the thermo-hygrostat model, the set point of each relay can be easily set using a potentiometer.

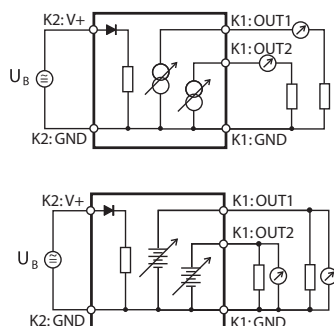
### HF32-series

2-wire technology



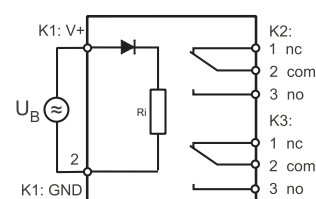
### HF33-series

3/4-wire technology



### HF34-series

2 relay outputs  
(not possible for the space version)



## TECHNICAL INFORMATION.

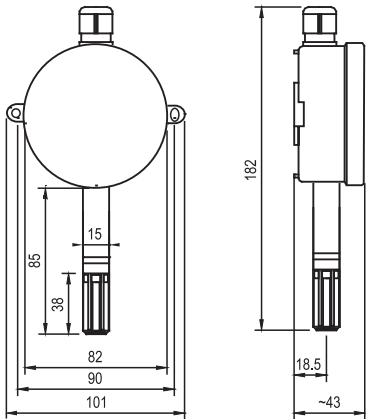
### Sensor Diagnostics.

The intelligence of AirChip3000 technology enables advanced sensor diagnostics. Should the sensors deviate from factory defined parameters, measurement values can be compensated automatically.

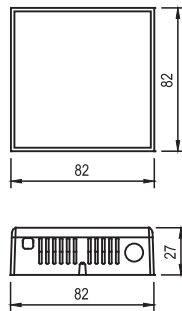
### Data Logging and Alarm Generation.

Up to 2,000 measurement values can be stored in the HygroFlex3 transmitter; the user is able to configure the measurement interval, set alarm limits, scale the output signal and download data using optional ROTRONIC HW4 software. The output signals of the HF3 can be programmed to take a fixed value in the event of a major sensor failure.

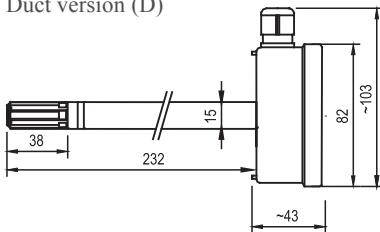
Wall version (W)



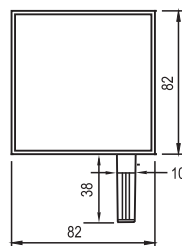
Space version (S)



Duct version (D)



Space version (R)



	HF32 2-wires	HF33 3/4-wires	HF34 Hygro-/Thermostat
Integrated sensors	Yes		
Humidity sensor	ROTRONIC Hygromer® IN-1		
Temperature sensor	Pt100 1/3 Class B		
Accuracy at 23 ±5 °C	±2.0 %rh / 0.3 K (±1.0 %rh / 0.2 K TypeR)		
Resolution AirChip3000	<0.02 %rh / 0.01 K		
Long-term stability humidity sensor	<1 %rh / year		
Response time τ63	<10 s		
Measurement range	-40...60 °C / 0...100 %rh		
Electronics operating range	-40...60 °C / 0...100 %rh (-10...60 °C with LCD)		
Display (Space version only) (HF32S: no backlight)	Graphic LCD Parameters freely configurable		
Alarm functions (programmable)	Open or shorted sensor		
Output signals	Freely scalable by user 0...1 V, 0...5 V, 0...10 V, 0(4)...20 mA		
Change in signal type	HF33 only		
Power supply	HF32: 10...28 VDC: 10 V + (0.02 x load) HF33: 15...40 VDC/12...28 VAC HF34: 8...40 VDC/6...28 VAC		
Power consumption	HF32: max 40 mA, other models < 100 mA		
Circuit type	HF32: 2 x 2 wires, HF33: 3/4 wires		
Min. / Max. load	V-signal: ≥1 kΩ / V / mA signal: ≤ 500 Ω		
Firmware update	Via service connector, requires HW4 software		
Sensor diagnostics (Drift, state)	Programmable. Default: off		
Sensor protection	Polyethylene filter		
Max. air velocity	20 m/s at probe		
Adjustments	Via ROTRONIC accessories Humidity: multi point; temperature: 2 points		
Hygro- /Thermostat	2 Relays, HF34 only		
Data logging	Internal, 2000 data point memory		
Dewpoint /frostpoint calculation	Yes		
PC interface (service connector)	With ROTRONIC interface cable, HW4 compatible		
Housing material / weight	ABS / approx. 120g		
Cable connections	1 x M16x1.5, on terminals		
Standards	CE- compliant, 2007/108/EG		
Audit trail, Electronic Records	FDA CFR21 Part 11 and GAMP compliant		
IP protection rating & fire protection class	IP65 / Corresponds to UL94-HB		

Contact:  
Industrial Process Measurement, Inc.  
3910 Park Avenue, Unit 7  
Edison, NJ 08820  
732-632-6400  
support@instrumentation2000.com  
http://www.instrumentation2000.com

**rotronic**  
LEADING IN HUMIDITY MEASUREMENT