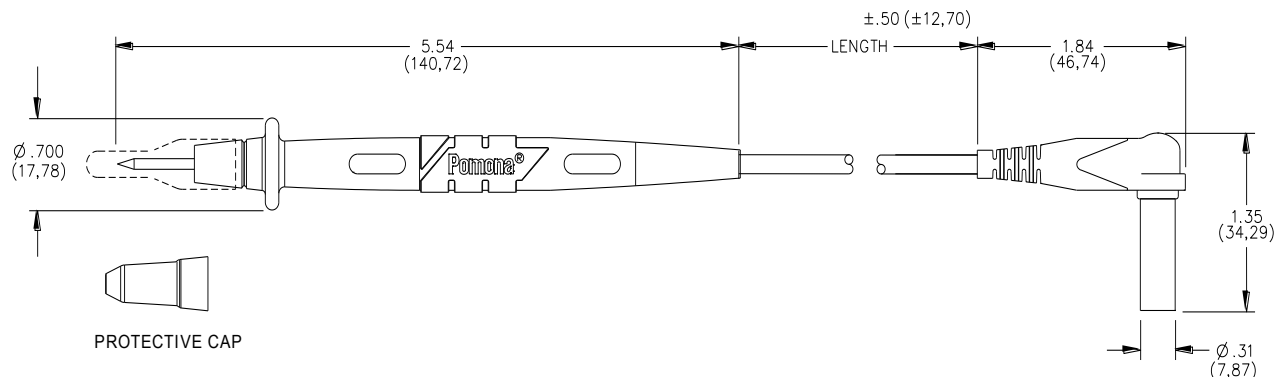


Model 5519A

IEC61010 Compliant Replacement Test Leads for Sheathed Style DMM's

**FEATURES**

- Designed for Fluke, H-P, Tektronix and Wavetek DMM's with a safety of sheathed banana jack.
- Probe body incorporates a two step mold process. First step is Polypropylene for probe rigidity. Second step is Santoprene® rubber for handling comfort, added insulation protection and wire strain relief.
- Probe test leads are designed with over-voltage spike protection of up to 6kV.
- Probe body inner insulation is fire retardant Polypropylene for added safety.
- Probe body and banana plug are molded directly to the wire for robust pull strength.
- Wire is a high strand count silicone wire for extreme flexibility and high temperature resistance.
- Wear indication with double insulated (dual extruded) silicone leads shows white inner layer for increased safety.
- Banana plug spring is nickel plated Beryllium Copper for long insertion life.

**MATERIALS**

Probe body: Outer Insulation – Santoprene® Rubber, Color: Gray
Inner Insulation – Polypropylene, Fire Retardant, Color: One Black, One Red
Tip – Nickel plated brass

Wire: 18 AWG, 192 x 41 bare copper, Silicone Insulation, O.D. 0.144" (3,66mm). Length: 48" (122cm)

Banana Plug: Body – Brass, Nickel Plated
Spring – Beryllium Copper, Nickel Plated
Insulation – PVC, Color: One Black, One Red

RATINGS

Operating Voltage: IEC 61010-031, CAT III, 1000 V (with protective cap), CAT II 1000 V (without protective cap).
Current: 10 Amperes

ORDERING INFORMATION

Model 5519A
Includes a set of one black and one red test lead.

Contact:
Industrial Process Measurement, Inc.
3910 Park Avenue, Unit 7
Edison, NJ 08820
732-632-6400
support@instrumentation2000.com
<http://www.instrumentation2000.com>

All dimensions are in inches. Tolerances (except noted): .xx = $\pm .02$ " (.51 mm), .xxx = $\pm .005$ " (.127 mm). All specifications are to the latest revisions. Specifications are subject to change without notice. Registered trademarks are the property of their respective companies.