

SV FLOAT TYPE FLOWMETERS AND FLOW SWITCHES



Flow
Pressure
Level
Temperature
measurement
monitoring
control



S2

- $\pm 4\%$ Full Scale Accuracy
- Small, Compact Design, Low Weight
- Direct Reading Scales for Water and Air
- Large and Small Measuring Ranges from 28:1 to 2.6:1
- Vertical Connections for Easy Installation
- All Media Contacted Parts Available in Brass or Stainless Steel Construction

Contact:
Industrial Process Measurement, Inc.
3910 Park Avenue, Unit 7
Edison, NJ 08820
732-632-6400
support@instrumentation2000.com
<http://www.instrumentation2000.com>

Model:
SV...



SV - Float Type Flowmeters and Switches



SV-5...

KOBOLD SV flowmeters and switches work on the well known float system, but without the use of the open conical measuring tube. Instead the instruments use a cylindrical control tube with a conical groove along its axis. The upper edge of the float indicates the flow on the measuring glass, which is calibrated in GPM or SCFM.



SV-7...
Flowmeter and switch
(with 2 N/O contacts)

Specifications

Accuracy: ±4% of full scale
Flow Media: liquids and gases
Mounting: vertical media flow bottom to top
Measuring Principle: with float and cylindrical control tube
Installation: vertical, flow bottom to top
Max. Temperature: 240°F, with PP or PVDF float: 160°F
Maximum Pressure: 145 PSI
Housing: Aluminum anodized

Slotted Nozzle: Nickel-plated Brass or 304 SS
Float: Nickel-plated Brass or SS, Polypropylene or PVDF
Fittings: Nickel-plated Brass or 304 SS
Seals: Buna-N for Brass units, FKM for SS units



SV-6...
Flowmeter and switch
(with 1 N/O contact)

Electr. Switch Housing: Plastic
Measuring Tube: Borosilicate
Electrical Protection: NEMA 4X/IP65
Reed Contact: Std: N/O max. 50VA, cCSAus Approval
Optional: SPDT max. 30VA, cCSAus Approval

Order Numbers for Standard Types

Range water GPM	Standard conn. NPT	Press. drop max. PSI	Float Material		Flowmeter waterscale standard-connection		Flowmeter 1 N/O contact water, stand.-conn.		Flowmeter 2 N/O contacts water, stand.-conn.	
			Brass	SS	Brass	SS	Brass	SS	Brass	SS
0.075- 0.35	1/4	0.58	PP	PVDF	SV-5101	SV-5201	SV-6101	SV-6201	SV-7101	SV-7201
0.2 - 0.7	1/4	0.87	Brass	SS	SV-5102	SV-5202	SV-6102	SV-6202	SV-7102	SV-7202
0.1 - 0.7	1/4	0.58	PP	PVDF	SV-5103	SV-5203	SV-6103	SV-6203	SV-7103	SV-7203
0.2 - 1.2	1/4	0.58	PP	PVDF	SV-5104	SV-5204	SV-6104	SV-6204	SV-7104	SV-7204
0.2 - 1.4	1/4	1.31	Brass	SS	SV-5105	SV-5205	SV-6105	SV-6205	SV-7105	SV-7205
0.5 - 2.7	1/2	0.58	PVDF	PVDF	SV-5106	SV-5206	SV-6106	SV-6206	SV-7106	SV-7206
1 - 4.5	1/2	1.02	Brass	SS	SV-5107	SV-5207	SV-6107	SV-6207	SV-7107	SV-7207
0.5 - 6	3/4	0.87	PP	PVDF	SV-5108	SV-5208	SV-6108	SV-6208	SV-7108	SV-7208
0.5 - 6.6	3/4	1.16	PVDF	PVDF	SV-5109	SV-5209	SV-6109	SV-6209	SV-7109	SV-7209
1 -11	3/4	1.45	Brass	SS	SV-5110	SV-5210	SV-6110	SV-6210	SV-7110	SV-7210
0.5 -12	3/4	2.03	Brass	SS	SV-5111	SV-5211	SV-6111	SV-6211	SV-7111	SV-7211
2.5 -20	1	4.35	Brass	SS	SV-5112	SV-5212	SV-6112	SV-6212	SV-7112	SV-7212
2.5 -40	1 1/4	5.80	PP	PVDF	SV-5113	SV-5213	SV-6113	SV-6213	SV-7113	SV-7213

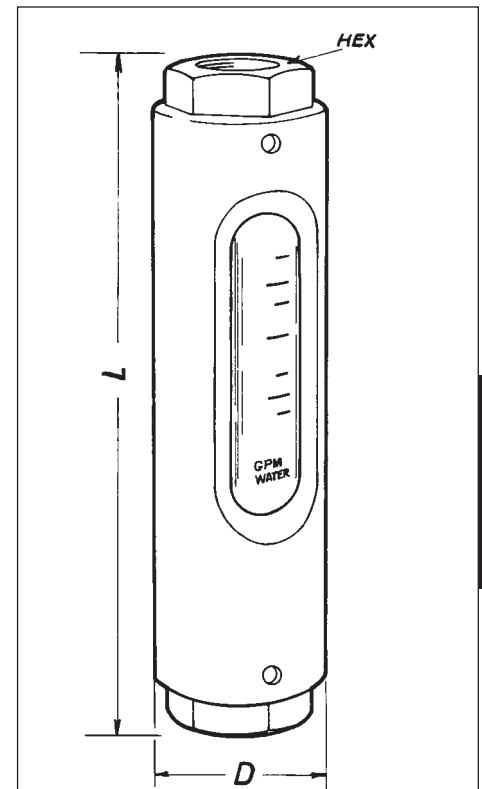
Options (add suffix to Order Number)

Range air SCFM Suffix "L"	Special conn. NPT Suffix "B"	Special contact Suffix "U"
0.25- 1.25	1/2	Contact SPDT
1.0 - 2.6	1/2	
0.5 - 3.0	1/2	
1 - 4.5	1/2	
1.5 - 6	1/2	
2 - 10	3/4	
2 - 18	3/4	
1 - 20	1	
1 - 27.5	1	
2.5 - 40	1	
2.5 - 55	1	
10 -100	-	
10 -150	-	

Subject to change without prior notice.

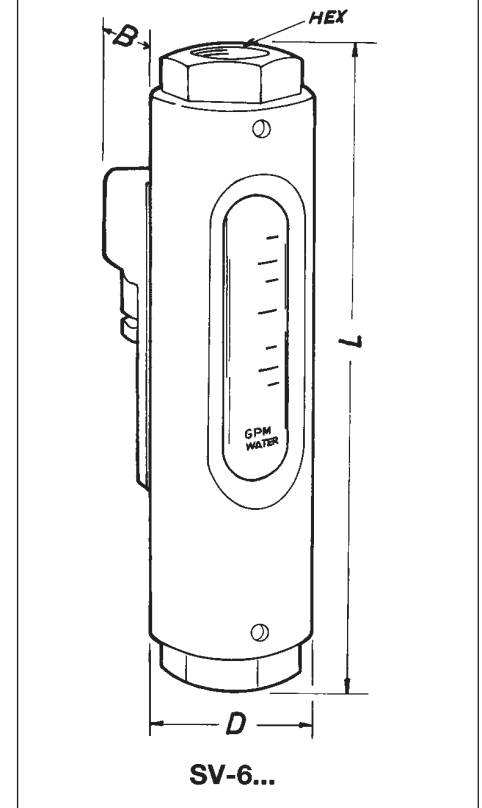
Dimensions

FLOAT TYPE FLOWMETER							
Order Number (Brass)	Order Number (SS)	HEX	D	Dimensions L		B	Weight lbs.
				Standard	Suffix "B"		
SV-5101	SV-5201	1.26	1.69	6.34	6.50	-	1.65
SV-5102	SV-5202	1.26	1.69	6.34	6.50	-	1.65
SV-5103	SV-5203	1.26	1.69	6.34	6.50	-	1.65
SV-5104	SV-5204	1.26	1.69	6.34	6.50	-	1.65
SV-5105	SV-5205	1.26	1.69	6.34	6.50	-	1.65
SV-5106	SV-5206	1.26	1.69	6.34	6.50	-	1.65
SV-5107	SV-5207	1.26	1.69	6.34	6.50	-	1.65
SV-5108	SV-5208	1.61	1.89	6.50	6.93	-	2.20
SV-5109	SV-5209	1.61	1.89	6.50	6.93	-	2.20
SV-5110	SV-5210	1.61	1.89	6.50	6.93	-	2.20
SV-5111	SV-5211	1.61	1.89	6.50	6.93	-	2.20
SV-5112	SV-5212	1.61	1.89	8.03	-	-	2.65
SV-5113	SV-5213	1.81	2.17	8.74	-	-	3.31



SV-5...

FLOAT TYPE FLOWMETER AND SWITCH WITH 1 N/O CONTACT							
Order Number (Brass)	Order Number (SS)	HEX	D	Dimensions L		B	Weight lbs.
				Standard	Suffix "B"		
SV-6101	SV-6201	1.26	1.69	6.34	6.50	2.09"	2.20
SV-6102	SV-6202	1.26	1.69	6.34	6.50	2.09"	2.20
SV-6103	SV-6203	1.26	1.69	6.34	6.50	2.09"	2.20
SV-6104	SV-6204	1.26	1.69	6.34	6.50	2.09"	2.20
SV-6105	SV-6205	1.26	1.69	6.34	6.50	2.09"	2.20
SV-6106	SV-6206	1.26	1.69	6.50	6.93	2.09"	2.20
SV-6107	SV-6207	1.26	1.69	6.50	6.93	2.09"	2.20
SV-6108	SV-6208	1.61	1.89	6.50	6.93	2.09"	2.76
SV-6109	SV-6209	1.61	1.89	6.50	6.93	2.09"	2.76
SV-6110	SV-6210	1.61	1.89	6.50	6.93	2.09"	2.76
SV-6111	SV-6211	1.61	1.89	6.50	6.93	2.09"	2.76
SV-6112	SV-6212	1.61	1.89	8.03	-	2.09"	3.20
SV-6113	SV-6213	1.81	2.17	8.74	-	2.09"	3.86

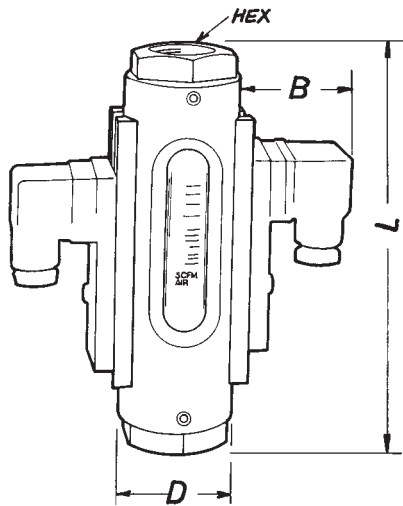


SV-6...

S2

Subject to change without prior notice.

Dimensions



SV-7...

FLOAT TYPE FLOWMETERS AND SWITCH WITH 2 N/O CONTACTS							
Order Number (Brass)	Order Number (SS)	HEX	D	Dimensions L		B	Weight lbs.
				Standard	Suffix "B"		
SV-7101	SV-7201	1.26	1.69	6.34	6.50	2.09"	2.76
SV-7102	SV-7202	1.26	1.69	6.34	6.50	2.09"	2.76
SV-7103	SV-7203	1.26	1.69	6.34	6.50	2.09"	2.76
SV-7104	SV-7204	1.26	1.69	6.34	6.50	2.09"	2.76
SV-7105	SV-7205	1.26	1.69	6.34	6.50	2.09"	2.76
SV-7106	SV-7206	1.26	1.69	6.50	6.93	2.09"	2.76
SV-7107	SV-7207	1.26	1.69	6.50	6.93	2.09"	3.31
SV-7108	SV-7208	1.61	1.89	6.50	6.93	2.09"	3.31
SV-7109	SV-7209	1.61	1.89	6.50	6.93	2.09"	3.31
SV-7110	SV-7210	1.61	1.89	6.50	6.93	2.09"	3.31
SV-7111	SV-7211	1.61	1.89	6.50	6.93	2.09"	3.31
SV-7112	SV-7212	1.61	1.89	8.03	-	2.09"	3.75
SV-7113	SV-7213	1.81	2.17	8.74	-	2.09"	4.41