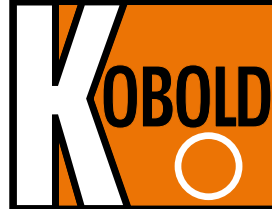
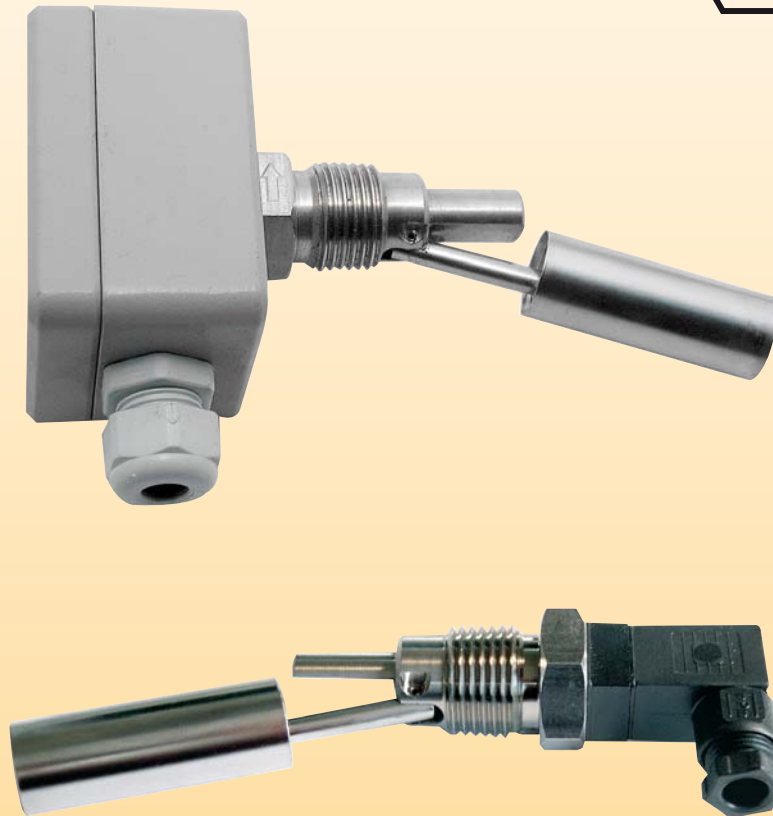




Level Switch



measuring
•
monitoring
•
analysing



- For lateral mounting
- Electr. connection:
DIN plug or
aluminium housing connection
- Stainless steel 1.4301
- Can be mounted as
N/C or N/O contact
- For ATEX applications



Contact:
Industrial Process Measurement, Inc.
3910 Park Avenue, Unit 7
Edison, NJ 08820
732-632-6400
support@instrumentation2000.com
<http://www.instrumentation2000.com>

Model:
RFS

Description

The KOBOLD level switches »RFS« are designed for monitoring filling levels of liquids cost-effectively. The liquid must not contain solids nor metallic particles. A pivoted stainless steel float with an inserted solenoid moves up and down together with the filling level of the liquid. The solenoid switches a reed contact. Depending on the mounting position of the device, the contact works as N/O or N/C contact with rising filling level. The devices are delivered for direct lateral mounting in commercially available sleeves.

The following versions are available:

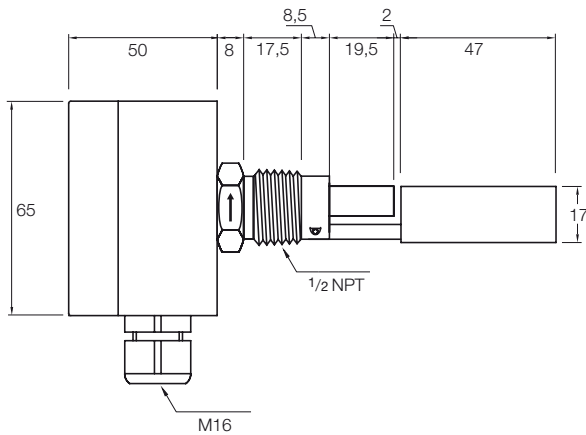
RFS-1200 N4: Standard version with plug connection

RFS-1201 N4: Standard version with housing connection (aluminium)

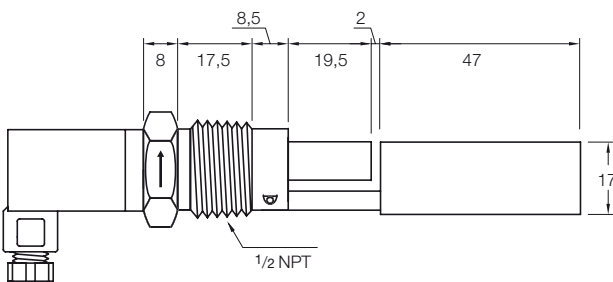
RFS-12Ex N4: ATEX version for use in environments with explosion hazards (an additional relay is required for the use in environment with gas explosion hazards)

Dimensions

RFS-1201 N4, RFS-12Ex N4



RFS-1200 N4



Technical Details

Medium temperature: - 40°C...+120°C
 Ambient temperature: - 20°C...+80°C (RFS-1200 N4 and RFS-1201 N4)
 - 20°C...+60°C (RFS-12Ex N4)
 Operating pressure: max. 5 bar

Materials

- Housing / plug: plastic with RFS-1200 N4
 aluminium with RFS-1201 N4 and RFS-12Ex N4
- Float: stainless steel 1.4301
- Connection: stainless steel 1.4301
- Process connection: 1/2 NPT
- Electr. connection: for RFS-1200: DIN plug
 for RFS-1201 and RFS-12Ex: terminals in the aluminium connection

Contacts: N/O or N/C contact, depending on the mounting position of the device

Switching voltage: max. 240 V_{AC} / 300 V_{DC} with RFS-1200 and RFS-1201)
 max. 40 V_{DC} with RFS-12Ex

Switchinh current: max. 0.5 A
 Switching capacity: max. 15 VA with RFS-1200 and RFS-1201
 max. 4 VA with RFS-12Ex

Medium density: > 0.7 g/cm³
 Contact resistance: max. 150m Ω

ATEX marking for RFS-12Ex: II 1 GD Exia II CT6 (gas)
 II 2/1D ExtD A21 IP65 T85 °C (dust)

Order Details (Example: RFS-1200 N4)

Model	Description
RFS-1200 N4	Standard version with plug connection
RFS-1201 N4	Standard version with housing connection (aluminium)
RFS-12Ex N4*	ATEX version for use in environments with explosion hazards

*an additional relay is required for the use in environment with gas explosion hazards