

**NS
FLOAT LEVEL SWITCHES**



Flow
Pressure
Level
Temperature
measurement
monitoring
control

N1



**For All Types of Liquids
Mercury-Free Mechanical Switches
Polypropylene, PTFE or
SS Construction
Maximum Temperature: 302°F
Maximum Pressure: 220 PSIG**

Contact:
Industrial Process Measurement, Inc.
3910 Park Avenue, Unit 7
Edison, NJ 08820
732-632-6400
support@instrumentation2000.com
<http://www.instrumentation2000.com>

Model:
NS

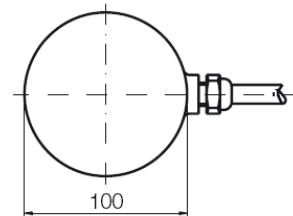


TYPE NSM
Low-Profile Float Type, Tilt Level Switch



Dimensions

NSM



Technical Specifications

- Float Material: Polypropylene w/Polyamide cable gland
- Standard Cable: 6.6 ft. (2m) Neoprene
Note: The standard Neoprene cable is not recommended for certain highly corrosive or solvent-based applications
- Optional Cable: Silicone
- Max. Pressure: 45 PSIG (3 Bar)
- Temperature: 40° - 140°F (5° - 60°C) with Neoprene cable
40° - 185°F (5 - 85°C) with Silicone cable
- Min. Medium Density: >0.6 SG (0.6 kg/dm³)
- Contact: SPDT mechanical switch changeover contact, connectable as N/C or N/O (Mercury-Free)
- Switch Capacity: max. 250 VAC / 6A, max. 400 VAC / 4A
Minimum 100 mA
- Min. Switching Hysteresis: approx. 140 mm
- Switching Angle: approx. Activate +45° / Deactivate -45°
Note: Stated switching angles are approximate and will vary with each installation, use for comparison between models only
- Class of Protection: IP 68
- Order Codes:** (Example: NSM-5101)

TYPE	DESCRIPTION
NSM-5101	Low Profile Polypropylene Float (4" Diameter x 1.38" High) Standard Neoprene cable 6 ft. (2m) length
OPTIONS:	<i>(special order versions, non-stocked item)</i>
-ECSIL	Extended-length Silicone Cable, specify total length (in feet)

Specifications subject to change without prior notice.

<http://www.instrumentation2000.com/kobold-online-store.aspx>



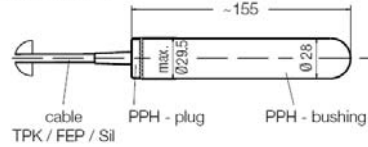
TYPE NSP

Float Type, Tilt Level Switch

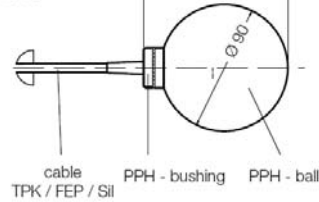


Dimensions

NSP-5101



NSP-5201



Technical Specifications

- Float Material: Polypropylene
- Standard Cable: 13 ft. (4m) TPK (3-conductor, 18 AWG (0.75mm²) Thermoplastic Elastomer Cladding)
Note: The standard TPK cable is not recommended for certain highly corrosive or solvent-based applications
- Optional Cable: Silicone, FEP
- Max. Pressure: NSP-5101: 15 PSIG (1 bar), NSP-5201: 30 PSIG (2 bar)
- Temperature: 40° - 140°F (5° - 60°C) with TPK cable
 40° - 185°F (5 - 85°C) with Silicone cable or FEP cable
- Min. Medium Density: NSP-5101: >0.9 SG (0.9 kg/dm³)
 NSP-5201: >0.6 SG (0.6 kg/dm³)
- Contact: SPDT mechanical switch changeover contact, connectable as N/C or N/O (Mercury-Free)
- Switch Capacity: max. 250 VAC / 150 VDC, 300 VA, 60 W, 1 mA to 1.5 A
- Min. Switching Hysteresis: approx. 25-35 mm
- Switching Angle: approx. Activate +14 to +17° / Deactivate -3° to +6°
Note: Stated switching angles are approximate and will vary with each installation, use for comparison between models only
- Class of Protection: IP 68

Order Codes: (Example: NSP-5101)

TYPE	DESCRIPTION
NSP-5101	Tubular Float (1" Diameter x 6" long), TPK cable 13 ft. / 4m
NSP-5201	Ball Float (3.54" Diameter), TPK cable 13 ft. / 4m
OPTIONS:	<i>(Special order versions, non-stocked item)</i>
-ECSIL	Extended-length Silicone Cable, specify total length (in feet)
-ECFEP	Extended-length FEP Cable, specify total length (in feet)
-ECTPK	Extended-length TPK Cable, specify total length (in feet)
ACCESSORIES:	
NSP-BESCHWER	Ballast Weight (attaches to cable)

Specifications subject to change without prior notice.



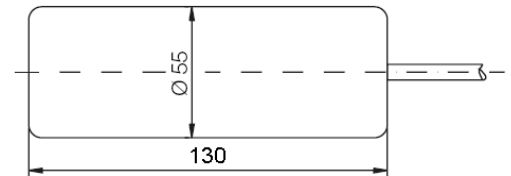
TYPE NST

Float Type, Tilt Level Switch for Aggressive Liquids



Dimensions

NST-



Technical Specifications

Float Material: PTFE

Cable: 6 ft. (2m) FEP cable

Max. Pressure: 1 bar (15 PSIG)

Max. Temperature: 302°F (150°C)

Min. Medium Density: >0.79 SG (0.79 kg/dm³)

Contact: SPDT mechanical (reed) switch changeover contact, connectable as N/C or N/O (Mercury-Free)

Switch Capacity: 4 to 250 VAC/ VDC, 60 VA, 1 mA to 1 A Max.

Min. Switching Hysteresis: approx. 100 mm

Switching Angle: approx. Activate +20° / Deactivate -20°

Note: Stated switching angles are approximate and will vary with each installation, use for comparison between models only

Class of Protection: IP 68

Order Codes: **(Example: NST-5101)**

TYPE	DESCRIPTION
NST-5101	Tubular Float (2.17" Diameter x 5.12" long) Standard FEP cable 6 ft./2m
OPTIONS:	<i>(Special order versions, non-stocked item)</i>
-ECFEP	Extended-length FEP Cable, specify total length (in feet)

Specifications subject to change without prior notice.

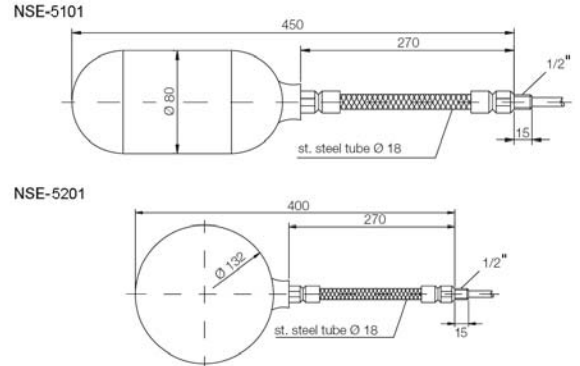


TYPE NSE

Float Type, All Stainless Steel Tilt Level Switch



Dimensions



Technical Specifications

Float Material:	316-Ti Stainless Steel
Cable:	6 ft. / 2 m Silicone cable
Armor:	316L/304 St. Steel overbraid for cable protection, 10" length (float to fitting)
Fitting:	½" NPT male, 316-Ti SS
Mounting Options:	from inside tank wall with NPT connection, or from outside tank wall with customer-supplied flange connection
Max. Pressure:	NSE-5101: 87 PSIG (6 bar) NSE-5201: 220 PSIG (15 bar)
Max. Temperature:	302°F (150°C)
Min. Medium Density:	>0.8 SG (0.8 kg/dm ³)
Contact:	SPDT reed switch changeover contact, connectable as N/C or N/O (Mercury-Free)
Switch Capacity:	4 to max. 250 VAC/ VDC, 60 VA, 1 mA to 1 A Max.
Min. Switching Hysteresis:	approx. 100 mm
Switching Angle:	approx. Activate +20° / Deactivate -20° <i>Note: Stated switching angles are approximate and will vary with each installation, use for comparison between models only</i>
Class of Protection:	IP 68

Order Codes: (Example: NSE-5101)

TYPE	DESCRIPTION
NSE-5101	Tubular Float (3.15" Diameter x 7" long), Silicone cable 6 ft. / 2m
NSE-5201	Ball Float (5.2" Diameter), Silicone cable 6 ft. / 2m
OPTIONS:	<i>(special order versions, non-stocked item)</i>
-ECSIL	Extended-length Silicone Cable, specify total length (in feet)

Specifications subject to change without prior notice.