

**NKP  
LEVEL SWITCH**



Flow  
Pressure  
Level  
Temperature  
measurement  
monitoring  
control

**N1**



- **Excellent Chemical Resistance**
- **Small Size-Easy Installation**
- **N/O or N/C User Selectable**
- **Hermetically Sealed Reed Switch**
- **NEMA 6 Protection**
- **Cost Effective**
- **Ideal for Tanks with Inaccessible  
Tops or Bottoms**

Contact:  
Industrial Process Measurement, Inc.  
3910 Park Avenue, Unit 7  
Edison, NJ 08820  
732-632-6400  
support@instrumentation2000.com  
<http://www.instrumentation2000.com>

Model:  
NKP



### Features

- Excellent Chemical Resistance
- Small Size-Easy Installation
- N/O or N/C User Selectable
- Hermetically Sealed Reed Switch
- NEMA 6 Protection
- Cost Effective
- Ideal for Tanks with Inaccessible Tops or Bottoms
- Virtually Maintenance-Free

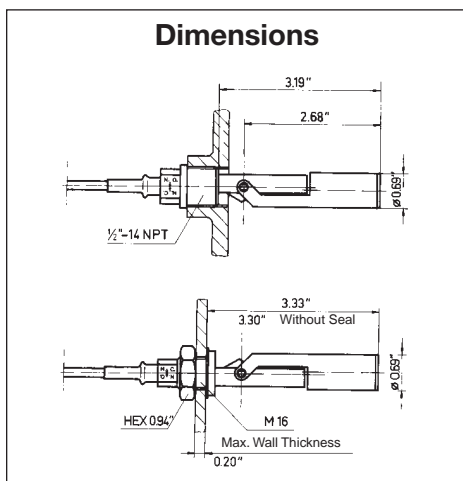
Kobold's NKP is a highly cost effective level switch. The unit is available in either polypropylene or PVDF construction for maximum compatibility with aggressive liquids. The NKP is distinguished by its instant response, small footprint and high capacity reed switch.

### Operation

The NKP is installed into the sidewalls of tanks. The plastic float contains a magnet which moves as the liquid level rises above or drops below the switch installation point. This movement brings the magnet into close proximity with a hermetically sealed reed contact, causing it to switch. The contact function may be selected as either normally open or normally closed by rotating the switch 180° about its axis. This simple design makes the NKP virtually maintenance free.

### Specifications

- Materials:**  
**Float:** Polypropylene or PVDF  
**Housing:** Polypropylene or PVDF  
**Seal:** Viton (bulkhead only)  
**Fittings:** 1/2" NPT or bulkhead  
**Orientation:** Horizontal ± 30°  
**Max. Temperature:**  
**Polypropylene:** 175°F  
**PVDF:** 212°F  
**Max. Pressure:** 145 PSIG  
**Min. Fluid Density**  
**Polypropylene:** 0.6 g/ml  
**PVDF:** 0.95 g/ml  
**Reed Switch**  
**Max. Voltage:** 250 VAC  
**Max. Current:** 1.5 A  
**Max. Power:** 50 watts  
**Cabling:** 3 ft., PVC clad, AWG 20/2  
**Protection:** NEMA 6/IP67



### Ordering Data

	PP	PVDF
Fittings		
1/2" NPT	NKP-2401	NKP-2501
Bulkhead	NKP-6401	NKP-6501