

**NDT  
STATIC PRESSURE LEVEL SWITCH**



Flow  
Pressure  
Level  
Temperature  
measurement  
monitoring  
control

**N1**



- **Field Adjustable Setpoint**
- **Perfect for Coating Dirty and Viscous Liquids**
- **8 amp SPDT Contact**
- **Reliable and Economical**

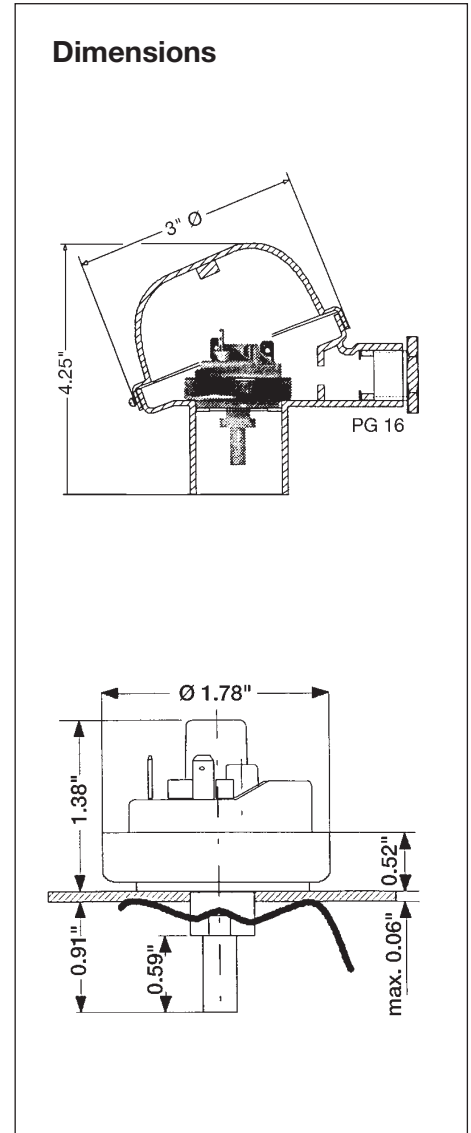
Contact:  
Industrial Process Measurement, Inc.  
3910 Park Avenue, Unit 7  
Edison, NJ 08820  
732-632-6400  
support@instrumentation2000.com  
<http://www.instrumentation2000.com>

Model:  
NDT

## FOR LIQUIDS IN OPEN TANKS

The KOBOLD NDT level switch is especially suitable for level monitoring of liquids in open or vented tanks.

The NDT uses a differential pressure cell to measure the height of the liquid above the bottom of its user supplied sensing tube. Operation of the NDT is simple. Install a pipe on the NDT such that the bottom of the pipe reaches to four (4) inches below the desired switchpoint. When the liquid level reaches the pipe it will seal off access to the pipe end. As the level continues to rise, the static pressure of the liquid outside the hose will exert a pressure on the air pocket trapped in the pipe (corresponding to the height of the medium above the pipe end.) The NDT's pressure switch is connected to the air pocket and factory adjusted to trip at four inches of water column pressure. The switching can thereby take place without the NDT's moving mechanisms ever contacting the medium. Since the pipe is user supplied, full flexibility in chemical compatibility with the process is afforded.



### Specifications

#### Wetted Parts

**Exposed to Liquid:** User supplied pipe

**Exposed to Air Pocket:**

Buna-N, Nylon®  
Nylon®

**Housing:**

**Media:** Any free-flowing liquid

**Fittings:**

Hose clamp, accommodates 1 1/4" SCH40 or SCH80 pipe

**Switchpoint:**

4 inches above end of user supplied pipe

**Switch Error:**

± 10 %

**Temperature Range:**

15 to 185 °F

#### Electrical Characteristics

**Switch Type:** SPDT

**Maximum Rating:** 250 VAC @

8 A resistive load  
NEMA 4

**Protection:**

### NDT Ordering Information

Model Number	Sensing Tube Fitting
NDT-2020	1/2" BSP Threaded Connection
NDT-2080	Clamp for 1 1/4" Pipe