

KPH300 MECHANICAL PRESSURE SWITCH



Flow
Pressure
Level
Temperature
Measurement
Monitoring
Control



- Switching Ranges from 3-30 to 450-4600 PSIG
- Field Adjustable Setpoint
- Diaphragm or Piston Type Sensing Element
- Micro-Switch Contact
- Reliable and Economical
- Excellent OEM Product



Model:
KPH300



Description

The KPH300 is an excellent choice for pressure switching applications that require a reliable solution and low cost. The KPH300 utilizes the proven diaphragm or piston sensing technology depending on the measuring range chosen. The setpoint and hysteresis are field adjustable via a 2 mm hex nut adjuster protected from the elements beneath the DIN 43650 electrical connector. The switch can also be factory set at the setpoint you specify. The SPDT micro-switch contacts are silver plated for extended service life. The combination of high reliability design and low cost makes the KPH300 an excellent choice for OEM and end user applications alike.

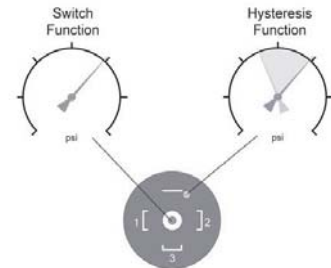


Specifications

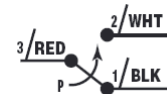
Applications: Liquids or compressed gases compatible with the wetted materials
Switching Ranges: 3-30 PSIG to 450-4600 PSIG
Fitting: 1/4" NPT male, others available in OEM quantities
Measuring Element
At or Below 225 PSIG: NBR diaphragm
Above 225 PSIG: Steel piston with NBR seal

Wetted Materials: Zinc plated steel and NBR
Housing Material: Thermoplastic
Operating Temp. Range: -4°F to 176°F
Setpoint Repeatability: ±2% of the full scale range
Setpoint Hysteresis: 10% to 30% of the adjusted value
Contact Rating: 4 amps to 120 V_{AC}, 4 amps to 250 V_{AC}, 2 amps to 28 V_{DC}
Electrical Connection: DIN 43650 plug w/ cable gland
Electrical Protection: NEMA 4/ IP65

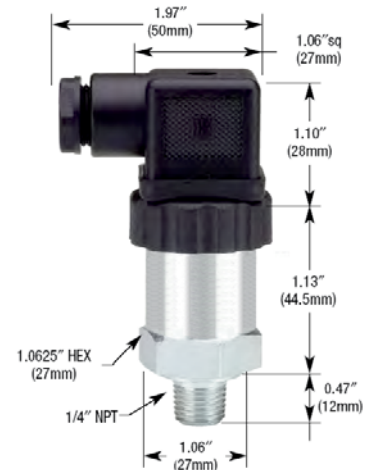
Wiring Diagrams and Electrical Connections



Switching Output Schematic



Dimensions



KPH300 Ordering Information	
KPH300-	= Mechanical Pressure Switch
	Switch
1	= Single Changeover contact, SPDT
	Fitting
2	= 1/4" NPT male (Std.)
	Adjustable Switching Pressure Range
3/30	= 3 PSIG to 30 PSIG (max pressure: 870 PSIG)
7/115	= 7 PSIG to 115 PSIG (max pressure: 870 PSIG)
15/225	= 15 PSIG to 225 PSIG (max pressure: 870 PSIG)
150/425	= 150 PSIG to 425 PSIG (max pressure: 5000 PSIG)
150/1150	= 150 PSIG to 1150 PSIG (max pressure: 5000 PSIG)
150/1700	= 150 PSIG to 1700 PSIG (max pressure: 5000 PSIG)
150/2300	= 150 PSIG to 2300 PSIG (max pressure: 5000 PSIG)
300/2900	= 300 PSIG to 2900 PSIG (max pressure: 5000 PSIG)
300/3600	= 300 PSIG to 3600 PSIG (max pressure: 5000 PSIG)
450/4600	= 450 PSIG to 4600 PSIG (max pressure: 5000 PSIG)
	Electrical Connection
1	= 36" cable (attached to option 8)
8	= Hirschmann connector (DIN 43650 A)
	Option
P	= Factory Set Switch-point (specify the switch-point and rising or falling)
KPH300- 1 2 150/1700 8 P	(200 PSI falling)
Example Order Code	

Contact:
 Industrial Process Measurement, Inc.
 3910 Park Avenue, Unit 7
 Edison, NJ 08820
 732-632-6400
 support@instrumentation2000.com
 http://www.instrumentation2000.com

No responsibility taken for errors; subject to change without prior notice.