

**KPA SERIES  
INDUSTRIAL/OEM PRESSURE SENSOR**



Flow  
Pressure  
Level  
Temperature  
measurement  
monitoring  
control

**P2**



- **0.25% of Full Scale Accuracy**
- **Precision Machined Diaphragm with no Welds or O-ring Seals**
- **Pressure Ranges 0-50 through 0-10,000 PSIG**
- **All Stainless Steel Wetted Parts**
- **Unique Sensor Fusing Technology for Exceptional Cycle Life at Low Cost**
- **Full Featured - Low Cost**

Contact:  
Industrial Process Measurement, Inc.  
3910 Park Avenue, Unit 7  
Edison, NJ 08820  
732-632-6400  
support@instrumentation2000.com  
<http://www.instrumentation2000.com>

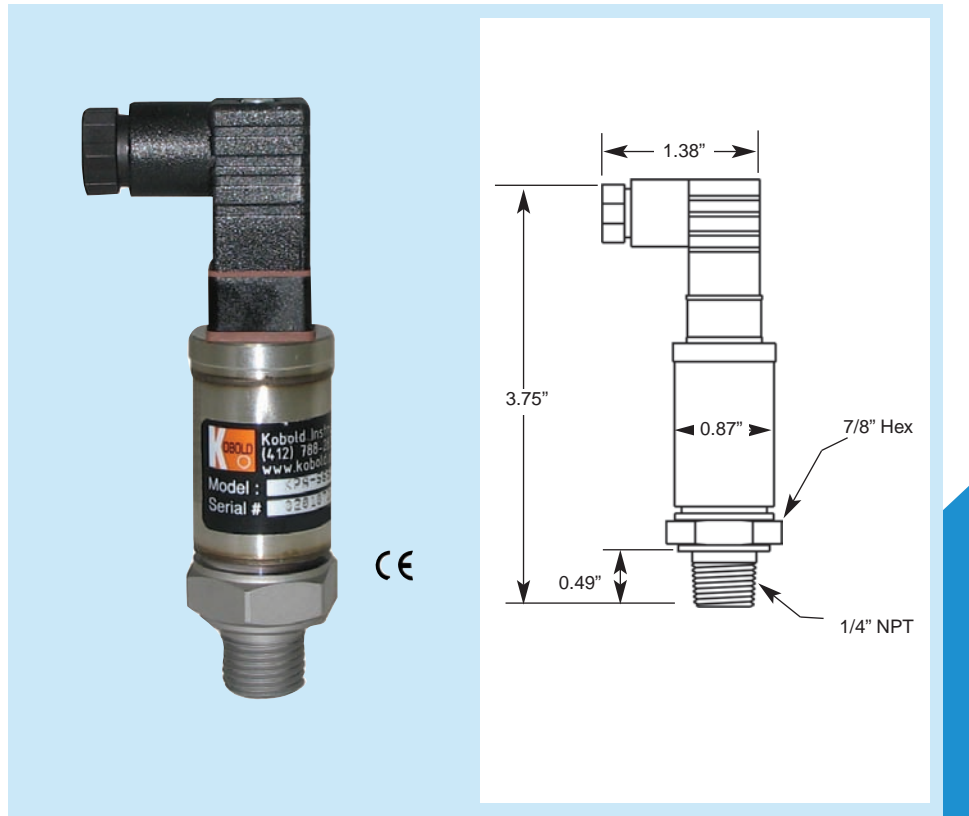
Model:  
KPA



### Features

- 0.25% of Full Scale Accuracy
- Precision Machined Diaphragm with No Welds or O-ring Seals
- Pressure Ranges 0-50 through 0-10,000 PSIG
- All Stainless Steel Wetted Parts
- Unique Sensor Fusing Technology for Exceptional Cycle Life at Low Cost
- Full Featured - Low Cost

The KOBOLD KPA Series Industrial/OEM pressure sensors are a breakthrough that combine several unique features yielding an exceptionally tough and accurate sensor at a low cost. The fitting and pressure sensing diaphragm are precision machined out of a single piece of 17-4 PH stainless steel. There are no welds or O-ring seals which results in an extremely high cycle life. The semiconductor strain gauges are kiln fused to the diaphragm making a highly stable molecular bond. Molecular bonding of the sensing element produces a pressure sensor that will have exceptional long term stability in demanding applications characterized by high pulsations. The KPA series has a 4-20 mA, 2-wire transmitter and 1/4" NPT fitting standard. Other outputs and fitting options are available in OEM quantities. 316L stainless steel wetted parts are also available in OEM quantities. The KPA also provides significant levels of RFI, EMI and ESD protection making it an excellent choice for industrial and mobile applications.



## KOBOLD KPA Pressure Sensor

### Ordering Information

Range (PSIG)	Model Number
0-50	KPA-565P055
0-100	KPA-565P065
0-200	KPA-565P085
0-300	KPA-565P090
0-500	KPA-565P100
0-1000	KPA-565P115
0-3000	KPA-565P140
0-5000	KPA-565P150
0-10000	KPA-565P175

### Specifications

**Pressure Ranges:** 0-50 PSIG through 0-10,000 PSIG

**Accuracy:** 0.25% of full scale BFSL

**Temperature Drift Coefficient:** ±0.0065% of full scale/°F over the compensated temperature range

**Process**  
**Temperature Range:** -40 to 185°F  
**Compensated**  
**Temperature Range:** 0 to 185°F  
**Wetted Materials:** 17-4 PH stainless steel; 316L available in OEM quantities

**Proof Pressure:** 2X measuring range  
**Burst Pressure:** 5X measuring range  
**Vibration Resistance:** 20G at 20-200 Hz

**Shock Resistance:** 200G / 11 ms

**Output**  
**Standard:** 4-20 mA, 2-wire, 9-30 VDC  
**Optional:** Others available in OEM quantities

**Electrical Connection**  
**Standard:** Mini-DIN 43650C  
**Optional:** Others available in OEM quantities

**Electrical Protection:** NEMA 4X/IP 65