

EDM BATTERY POWERED RATE METER & TOTALIZER



Flow
Pressure
Level
Temperature
Measurement
Monitoring
Control



- Brass, SS, Aluminum, PVDF, or Nylon Bodies
- Battery Powered
- Compact and Portable
- Ranges: 0.3-3 GPM to 30-300 GPM
- Rate and Totaling Displays
- Analog or Frequency Outputs
- New and Improved Computer Electronics



S4

Contact:
Industrial Process Measurement, Inc.
3910 Park Avenue, Unit 7
Edison, NJ 08820
732-632-6400
support@instrumentation2000.com
<http://www.instrumentation2000.com>

Model:
EDM

Description

The EDM turbine flowmeter measures the flow of water and low viscosity liquids ranging from 0.3 GPM to 300 GPM. Its replaceable lithium batteries power an onboard rate meter/totalizer allowing installation in virtually any location, regardless of power availability. Results are displayed on a highly visible LCD readout.

Versatile and easy to use, the EDM's modular design allows KOBOLD to offer a variety of electronic modules which further enhance its versatility. Available are options for a remote display, a frequency output, and a 4-20 mA analog transmitting output. Nylon, aluminum, PVDF or stainless steel body construction make the EDM compatible with a wide variety of process media.

Improved Computer Electronics

The upgraded computer electronics features 1 rate and 2 totalizing displays. Standard measuring units are field switchable GPM or LPM. The ability to store two field calibrations allows the user to freely switch 3 different liquid viscosities with the same flowmeter.



KOBOLD EDM Flow Sensors

Specifications

Accuracy (% of Reading)
See ordering information

Fittings
Standard: NPT
Optional: ISO, flanges, Tri-clamp®

Maximum Pressure
Stainless Steel
Threaded: 1500 PSIG
Flanged: 285 PSIG
Tri-clamp: 450 PSIG
Nylon: 150 PSIG
Aluminum: 300 PSIG
PVDF: 150 PSIG

Temperature Range (Operating)
Onboard Display: +14 to +140°F
Remote Display
SS/Aluminum: -40 to +250°F
Nylon/PVDF: -20 to 180°F
Display + Output: +14 to +140°F

Wetted Materials
SS Body: 316 SS, Ceramic, PVDF, Tungsten Carbide
Nylon Body: Nylon, Ceramic, Tungsten Carbide, Manganese/zinc, 316 SS
Aluminum Body: Aluminum, 316 SS, Tungsten Carbide, Ceramic, Manganese/zinc
PVDF Body: PVDF, Ceramic, Viton

Electrical Ratings
Onboard Display/Computers
Input Power: Two 3 VDC lithium batteries
Battery Life: 9000 hours
Protection: NEMA 4
Option -RD: Remote Display Kit
Input Power: Self-powered magnetic pickup
Cable Length: 10 ft supplied, 100 ft maximum



Ordering Details (Example: EDM-4202B)

Water Flow Range		Accuracy % of Reading	Fitting Size [NPT]	Max dP [PSI]	Model Number	
GPM	LPM					
Flowmeter with Stainless Steel or Aluminum Body						
					Stainless Steel	Aluminum
1 - 10	3.8 - 38	2.0	1/2"	8	EDM-4201	EDM-4301
2 - 20	7.6 - 76	1.5	3/4"	7.5	EDM-4202	EDM-4302
5 - 50	19 - 190	1.5	1"	5	EDM-4203	EDM-4303
10 - 100	38 - 380	1.0	1 1/2"	4	EDM-4204	EDM-4304
20 - 200	76 - 760	1.0	2"	4	EDM-4205	EDM-4305
Flowmeter with PVDF Body						
1.2 - 12	4.5 - 45	2.0	1/2"	10	-	EDM-4401
5 - 50	19 - 190	1.5	1"	6	-	EDM-4403
Flowmeter with Nylon Body						
0.3 - 3	1 - 10	1.5	1"	2	-	EDM-4101
3 - 50	10 - 190	1.5	1"	5	-	EDM-4102
High Flow Flowmeter with Aluminum Body						
3 - 50	10 - 190	1.5	1"	5	-	EDM-4307
30 - 300	100 - 1000	1.5	2"	7	-	EDM-4309
Options						
Description						Suffix
Add-on remote mounting kit for displays						RD
Add-on pulse frequency transmitter kit (Not for high flow aluminum and nylon meters)						PM
Add-on pulse frequency transmitter kit in place of display						SC
Add-on 4-20 mA analog transmitter kit (Not for high flow aluminum and nylon meters)						WM
150 LB ANSI flange connection for stainless steel flowmeters only						F
Tri-clamp® connection for stainless steel flowmeters only						T
ISO Threads						B

Electrical Characteristics of Standard Pulse and Analog Outputs

Option "WM": 4-20 mA Transmitter

Input Power: 7-30 V_{DC} loop powered
Output: 2-wire, 4-20 mA DC
Cable Length: 10 feet provided
Protection: NEMA 4
Intrinsic Safety: None

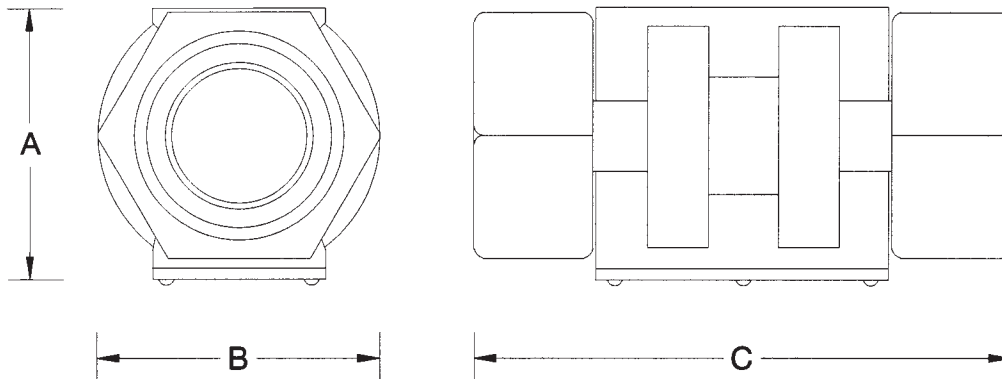
Option "PM": Pulse Transmitter with Display

Input Power: 0-60 V_{DC}
Output: NPN open collector transistor
Sink Current: 100 mA maximum
Cable Length: 10 feet provided
Protection: NEMA 4
Intrinsic Safety: None

Option "SC": Pulse Transmitter, no Display

Input Power: 9-35 V_{DC}
Output: NPN open collector transistor
Sink Current: 4 mA maximum
Cable Length: 10 feet provided
Protection: NEMA 4
Intrinsic Safety: None

EDM Sensor Dimensions



Fitting Size	SS/Aluminum			Nylon			Aluminum High Flow			PVDF		
	A	B	C	A	B	C	A	B	C	A	B	C
1/2"	1.8"	2.0"	4.2"	-	-	-	-	-	-	3.2"	2.1"	7.3"
3/4"	2.0"	2.0"	4.3"	-	-	-	-	-	-	-	-	-
1"	2.2"	2.0"	4.5"	2.53"	2.13"	4.06"	2.53"	2.13"	4.06"	3.3"	2.8"	8.1"
1 1/2"	2.8"	2.7"	5.3"	-	-	-	-	-	-	-	-	-
2"	3.2"	3.3"	6.3"	-	-	-	4.06"	3.00"	6.12"	-	-	-

* Sensor portion only. For meters with display, add 0.70" to dimension A.

EDM Display Dimensions

