

DF PADDLE WHEEL FLOW SENSOR



Flow
Pressure
Level
Temperature
measurement
monitoring
control



S4

- $\pm 2.5\%$ of Full Scale Accuracy
- Analog Output
- Easy to Install and Maintain
- Robust and Reliable
- No. Min. Requirements for Straight Inlet and Outlet Pipe
- Low Pressure Drop
- 7 Different Material Combinations Available

Contact:
Industrial Process Measurement, Inc.
3910 Park Avenue, Unit 7
Edison, NJ 08820
732-632-6400
support@instrumentation2000.com
<http://www.instrumentation2000.com>

Model:
DF



Flow Sensor DF

The main feature of the KOBOLD DF flow sensor is the incorporation of a multipole magnet ring into the paddlewheel. As the paddlewheel rotates, these magnets, hermetically separated from the fluid medium, induce an DC signal in a Hall sensor mounted on the device housing. Since the DC signal frequency is proportional to paddlewheel rotation, an accurate flowrate reading is possible.

The DF sensor, when coupled with the appropriate KOBOLD electronics unit, can offer the user a number of features useful in the measurement and control of fluid flow. These features include an analog output, adjustable switches, batch controller, or totalizer.

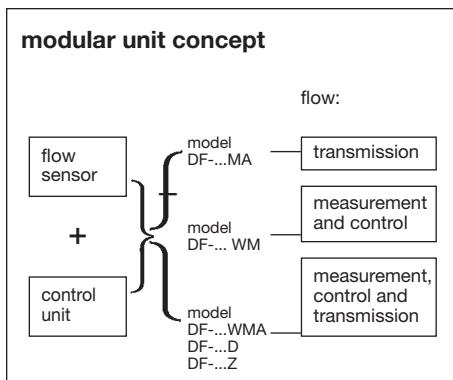
Specifications

- Accuracy:** ± 2.5% of full scale
- Media:** water and low viscosity liquids
- Orientation:** universal
- Fittings:** 1/8" NPT ... 1 1/2" NPT, flange ANSI 1/2", 1", 1 1/2"
- 7 different material combination:** trogamid, polysulfone, brass, SS, teflon



DF-... with flange

DF-... with female thread



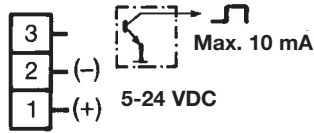
Materials combination	Standard				High Pressure Design	
	I	II/IIB*	III	IV*	VI*	VII*
Connecting type	Female thread	Female thread	Female thread	Female thread flange	Female thread	Female thread flange
Housing	Trogamid	Polysulfone/PP	Brass Nickel-plated	SS	Brass Nickel-plated	SS
Housing lid	Trogamid	Polysulfone/PP	Polysulfone	Polysulfone	Brass Nickel-plated	SS
Connection	Brass Nickel-plated	SS/PP	Brass Nickel-plated	SS	Brass Nickel-plated	SS
Locking pins	Brass	Brass	Brass	-	-	-
O-rings	Buna-N	Viton	Buna-N	Viton	Buna-N	Viton
Paddle wheel	Delrin	Teflon	Delrin	Teflon	Delrin	Teflon
Axle	SS	SS/Ceramic	SS	SS	SS	SS
Axle Bearing	Teflon	Teflon	Teflon	Teflon	Teflon	Teflon
Orifice	Teflon ²	Teflon ²	Teflon ²	Teflon ²	Teflon ²	Teflon ²
Max. operating pressure PSI	145	145/85	230	230	1450	1450 (with flange 580)
Max. operating temperature (°F)	145	180	180	180	180	180

* Fittings not rotatable ¹for Model DF..01 Titanium ² for Model DF..01 SS

Description

The Kobold DF Flow Sensor is used in applications where flow measurement is desired and flow rate data is to be transmitted as a pulse rate output. The DF Flow Sensor contains a flow transducer which transmits a pulse signal. The output signal is linearly proportional to the flow and is transmitted by a bipolar transistor operating in an open collector configuration (10 mA sinking capability).

Wiring Diagram



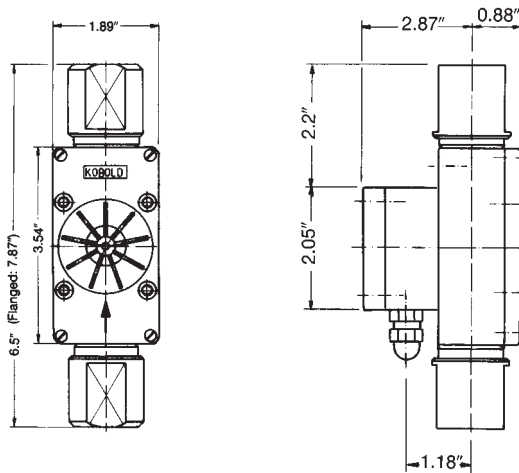
Specifications

- Power Supply:** + 5 to + 24 VDC
- Open Collector:** + 5 to + 24 VDC, 10 mA max.
- Temperature Range:** -10°F to 180°F (145°F DF-01...)
- Protection:** NEMA 4



S4

Dimensions



Order Numbers

Range water	Stand. conn.	Dia. of Orifice	Press. drop max.	DF Flow Sensor Material Combination							Range Size
				I	II	II B	III	IV	VI	VII	
GPM	NPT	inches	PSI	DF-01..	DF-02..	DF-00..	DF-03..	DF-04..	DF-06..	DF-07..	
0.02- 0.14	1/8"	0.04	10.2								..01
0.05- 0.30	1/4"	0.08	4.2								..02
0.05- 0.60	1/2"	0.08	10.4								..03
0.1 - 0.7	1/4"	0.11	9.6								..04
0.2 - 2.5	3/8"	0.19	12.1								..05
0.4 - 5	1/2"	0.32	2.9								..06
0.5 - 6	3/4"	0.32	4.4								..07
0.5 -12	3/4"	0.49	4.4								..08
1 -25	1 1/4"	0.59	15.9								..09
1.5 -36	1 1/4"	0.73	13.5								..10

Options
(add suffix to order number)

Special conn. NPT Suffix "-B"	For flange connection (only material combination IV and VII) Suffix "FL"
1/4"	
3/8"	
3/8"	
3/8"	
1/2"	
3/4"	
1"	
1"	
1 1/2"	
1 1/2"	

Note to place an order

1. Select the sensor order no.
2. Select the required suffix

For example: DF-0109B

All Sensors will be delivered with calibration certificate

Subject to change without prior notice.