

BVB-MANIFOLD VALVES, MULTIPLE INSTALLATION, FOR LUBRICATING OIL CIRCUITS



Flow
Pressure
Level
Temperature
measurement
monitoring
control

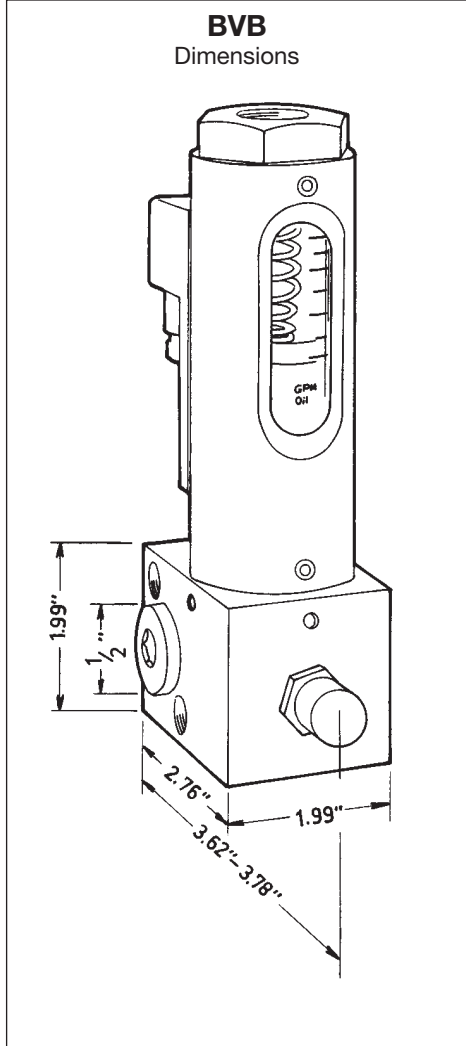


- Ability to Chain up to 6 Units
- Easy to Install
- Max. Pressure 235 PSI

S2

Contact:
Industrial Process Measurement, Inc.
3910 Park Avenue, Unit 7
Edison, NJ 08820
732-632-6400
support@instrumentation2000.com
<http://www.instrumentation2000.com>

Model:
BVB



For centralized flow measurement and distribution we recommend the KOBOLD BVB manifold valves. With the ability to join up to 6 flowmeters onto an integrated valve block, the BVB offers a compact and tidy solution to your distribution problems. The BVB is usable with type SV... and VKG... series of flowmeters. The total throughput of the BVB is limited to 6.5 GPM due to size restrictions. To supply a BVB manifold with media, a pump with a 20-30% overcapacity is required to ensure that each branch receives adequate flow. To protect your instrument, this overcapacity must be able to return to the media supply tank through a pressure limiting regulator (we recommend 100 PSI or more to a maximum of 235 PSIG). The KOBOLD BVB, clean and simple.

BVB 4102

Specifications

- Connection:** 1/2" NPT
- Material:** anodized Aluminum
- Maximum pressure:** 235 PSI

Order Numbers for standard types		
Model	Manifold valve* mounted Order-No.	Manifold valve only Order-No.
Single fold	BVB 4101	BVB 5101
Double fold	BVB 4102	BVB 5102
3 - fold	BVB 4103	BVB 5103
4 - fold	BVB 4104	BVB 5104
5 - fold	BVB 4105	BVB 5105
6 - fold	BVB 4106	BVB 5106

* select flowmeter model and add price for flowmeter(s)

Subject to change without prior notice.