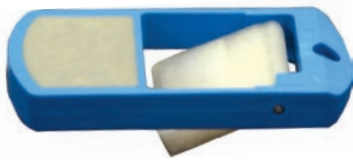


## Application



Switch Open



Switch Closed

The general purpose float leak switch provides reliable leak detection in and around secondary containment sumps and tanks with a 1A relay output. The flat body Valox leak sensor is ideal for placement in hard to reach interstitial areas with limited space. In the event of a leak, the foam polypropylene float will rise to signal the presence of unwanted liquid in the containment vessel. The leak detection switch is typically mounted flat on the bottom of the sump floor or secondary containment tank wall.



## Features

- ✓ Valox sensor body with PP float and Halar® jacketed cable for corrosive liquids
- ✓ Flat, low profile sensor with minimal float rise for applications with limited space
- ✓ Dry contact, normally closed reed switch opens to signal the presence of liquid

## Key Benefits

- ✓ Easy to install
- ✓ Ideal for double wall tanks or pipes
- ✓ Used to signal the presence of liquid leaks or overflow in any containment area

## Compatible Products

### Switch-Pro™ Remote Level Controller



LC4X

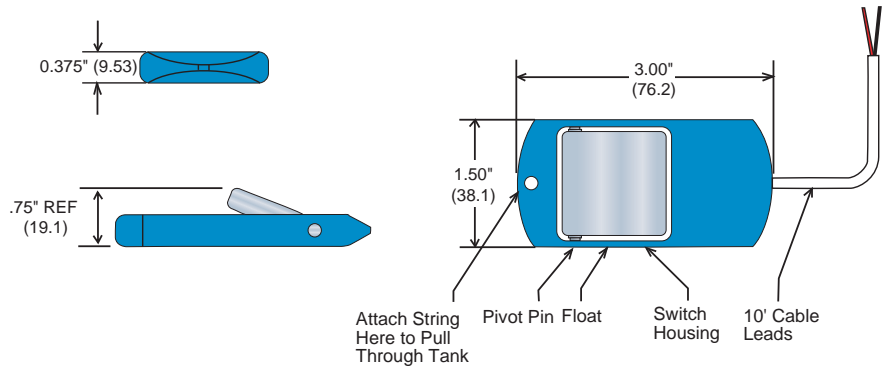
## Application

Available in general purpose classification, the level controller is offered in three configurations for pump and valve control. The LC40 accepts one level sensor input and provides one 10A relay. The LC41 accepts two level sensor inputs and provides one latching 10A relay for automatic fill or empty control. The LC42 accepts three level sensor inputs with one latching 10A relay output for automatic fill or empty control, and a second non-latching 10A relay for high level alarm or low level alarm. For field mount installation, add a single or dual indicator NEMA box.

### Specifications

- Orientation: Horizontal
- Contact type: (1) SPST reed
- Contact state: NC, Open on rise
- Contact rating: 30 watts
  - 240 VAC (0.14 amps resistive)
  - 120 VAC (0.28 amps resistive)
  - 120 VDC (0.07 amps resistive)
  - 24 VDC (0.28 amps resistive)
- Contact output: NC (opens on rise)
- Process temp.: F: -40° to 221°
  - C: -40° to 105°
- Pressure: 50 psi (3.44 bar)
- Float material: Foamed polypropylene
- Body material: Valox 420
- Pivot pin: Stainless steel
- Wire type: 2 conductor, #22 AWG
- Wire length: 10' (3.04m)
- Wire jacket mat: Halar jacketed
- Classification: General purpose
- Compliance: CE
- Approvals: UL

### Dimensions



### Accessories

Protect your level controller from the elements by using the below recommended single or two controller NEMA box.



P/N	Description
<b>Single &amp; Two Controller NEMA Box</b>	
LM94-1001	Single Controller, Windowed, 35mm Rail, Polycarbonate
LM95-1001	Two Controller, Windowed, 35mm Rail, Polycarbonate

### Ordering

**LH29-1001**