

Application



Intended for side wall installation, the general purpose level switch package provides reliable liquid level detection with one 1A relay and a compact junction box for integral wiring termination. Available in two level sensor technologies, select the type and material based upon your application media. This liquid level switch package is widely applied in bulk storage and process tank level applications as a high level alarm or low level alarm.



Features

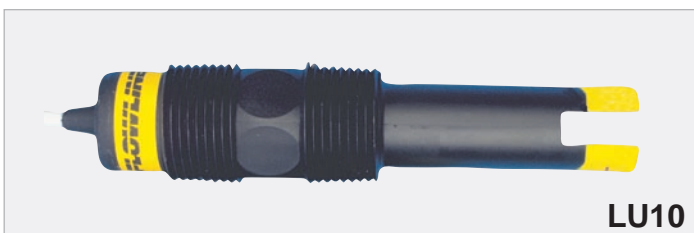
- ✓ Rugged polypropylene, Ryton® or PFA sensor for corrosive liquid applications
- ✓ 60VA relay selectable NO or NC via power supply wiring polarity
- ✓ Polypropylene enclosure rated NEMA 4X with swivel base and terminal strip
- ✓ Offered in 2 sensing technologies for broad application coverage: ultrasonic & vibration

Key Benefits

- ✓ Ideal for side wall tank mounting
- ✓ Switch output wires directly into a PLC/SCADA
- ✓ Can be installed outdoors
- ✓ Great for corrosive or coating liquids

Compatible Products

Switch-Tek™ Ultrasonic Level Switch



LU10

Broadly applied in chemicals and light weight oils

Switch-Tek™ Vibration Level Switch



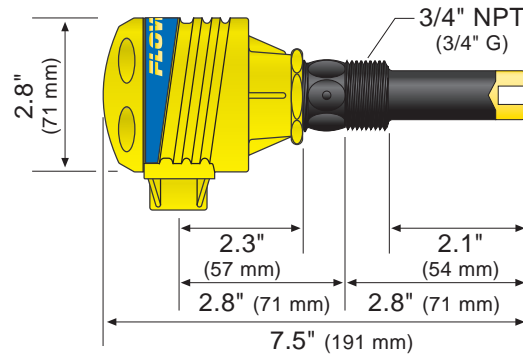
LZ12

Applied in wastewater with light coating or scaling

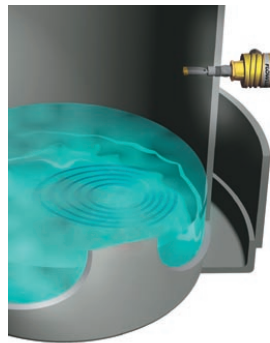
Specifications

Accuracy:	± 1mm in water
Repeatability:	± 0.5mm in water
Supply voltage:	AZ18: 12-30 VDC AU18: 12-36 VDC
Consumption:	25 mA maximum
Contact type:	(1) SPST relay
Contact rating:	AU18 / AZ18: 60 VA, 1A max.
Contact output:	Selectable NO / NC
Process temp.:	F: -40° to 176° C: -40° to 80°
Ambient temp.:	F: -40° to 140° C: -40° to 60°
Pressure:	150 psi (10 bar)
Enclosure rating:	NEMA 4X (IP65)
Enclosure mat.:	PP, UL94VO
Terminal strip:	6-pole, socket
Conduit entrance:	1/2" NPT
Wetted material:	AZ18-113X: PP-Ryton® AU18-113X: PP AU18-213X: PFA
Process mount:	3/4" NPT (3/4" G)
Mount. gasket:	Viton®
Classification:	General purpose
Compliance:	CE

Dimensions



Installation



Side Wall Installation

The Switch-Pro AX1X series is designed for installation through the side wall of the tank. The sensor can be used as a high or low level alarm as well as overflow protection or low level pump protection. Use a tank adapter to make installation quick and simple.

Ordering

A 18- 13

Sensor technology (1)

- Z Vibration
- U Ultrasonic

Wetted material (2)

- 1 PP/Ryton
- 2 PFA

Process mount

- 0 NPT (US)
- 4 G (Metric)

Notes

- 1) Select the best level sensor technology based upon your application.
- 2) Vibration only available in Ryton wetted material.