

## Application



**LD30-S001**



**LD30-S011**

The general purpose external pressure level transmitter is offered in two styles of termination and provides continuous level measurement up to 69' (21m) of water column with a 4-20 mA signal output. Select the -S\_01 level sensor for cable termination or the -S\_11 level sensor for conduit termination with an integral junction box. This liquid level sensor is well suited for clean liquid or gas media. Applications include cutting oil and air.



## Features

- Corrosion resistant 316 SS transducer with threaded mount
- Available with polyurethane cable or junction box termination
- Automatic temperature compensation for accurate measurement

## Key Benefits

- Ideal for applications with heavy foam, vapors & air
- Connects directly to PLC/SCADA or display
- Great for existing lower entry ports
- 4-20 mA signal output
- Pressure is not affected by specific gravity or liquid

## Compatible Products

**DataLoop™**  
Level Indicator



**LI25**

**DataView™**  
Level Controller



**LI55**

**Commander™**  
Multi-Tank Level Controller



**LI90**

**DataPoint™**  
Level Controller

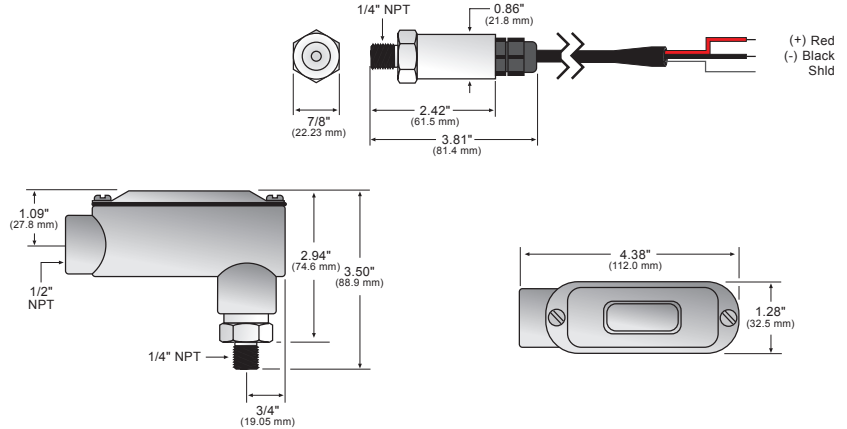


**LC52**

## Specifications

- Range:                -S0X1: 0 to 5 psi (0.34 bar),  
                           0 to 11' (0 to 3.4m) wc  
                           -S2X1: 0 to 15 psi (1 bar),  
                           0 to 34' (0 to 10.4m) wc  
                           -S4X1: 0 to 30 psi (2 bar),  
                           0 to 69' (0 to 21.1m) wc
- Accuracy:            ± 0.25% of full scale
- Configuration:      None, fixed span
- Supply voltage:     13-30 VDC
- Loop resist.:        1300 Ohms max @ 30 VDC
- Signal output:      4-20 mA, two-wire
- Process temp.:     F: 0° to 200°  
                           C: -18° to 93°
- Temp. comp.:        F: 0° to 175°  
                           C: -18 to 79°
- Proof pressure:     2 x full span
- Response time:     50ms
- Weight:               10 oz (283 g)
- Enclosure rating:   NEMA 4X (IP65)
- Enclosure mat.:    316 SS
- Termination:        -SX01: Cable  
                           -SX11: Junction box  
                           with 1/2" NPT conduit
- Cable type:         -SX01: 2-cond., shielded
- Cable length:       -SX01: 9' (2.7m)
- Cable material:     -SX01: Polyurethane
- Process mount:     1/4" NPT
- Trans. material:    316 SS
- Classification:      General purpose
- Compliance:        CE

## Dimensions



## Accessories

For enhanced flexibility and performance, use the recommended power supply.



P/N	Description
LC95-1001	AC-DC Sensor & Indicator Power Supply 100-240 VAC, 24 VDC @ 0.60A, 35mm Rail

## Ordering

LD30-S   1

**Sensor range**

- 0 5 psi (0.34 bar) / 11' (3.4m) wc
- 2 15 psi (1.0 bar) / 34' (10.4m) wc
- 4 30 psi (2.0 bar) / 69' (21.1m) wc

**Termination (1)**

- 0 Cable
- 1 Junction box

### Notes

- 1) For level sensor power, order the LC95-1001 AC-DC power supply.