

## Model GC35 Digital Pressure Sensor



### APPLICATIONS:

- Hydraulic presses, stamping equipment, lifts
- Water/wastewater pressure control
- Water, refrigerant or ammonia based cooling systems
- Pressure monitoring on lubrication systems

### FEATURES:

- Combined 3-in-1 digital pressure gauge, switch and transducer
- High overpressure capability
- All stainless steel wetted materials
- Simple "Push-Button" configurability allows user to adjust switch settings, analog scaling
- Rugged aluminum housing

**GloBand™ Display**  
Full 360° Visibility



User configurable LED light ring changes color with switch set points

### PRODUCT SPECIFICATIONS

#### Analog Output (4-20mA):

Accuracy: ± 1.0% FS (Accuracy includes the effects of linearity, hysteresis, repeatability, zero offset and span setting errors)  
 Response Time: 30msec–10sec (by user)  
 Output Resolution: ±0.05% FS  
 Analog Scaling: User may configure analog output scaling to any range within –100 to +150% Full Scale of the sensor range

### Pressure Switch Output:

Type: NPN or PNP open collector up to 80ma  
 Setting Accuracy: ± 1.0% FS  
 Response Time: 5msec – 10.0 sec (by user)  
 Hysteresis: Variable (by user)  
 Switch Setting: User may adjust switch actuation & deadband to any points within Full Scale sensor range

### Display:

Type: 4 digit, 8mm LED  
 Accuracy: ± 1.0% FS (URL) + last digit  
 Display Update Rate: 200msec–10.0 sec (by user)  
 Display Setting: User may re-configure display scaling, set to capture MIN or MAX value and adjust display update rate

### Standard Ranges (Gauge):

0 to 50 psig, 100 psig, 150 psig, 300 psig, 500 psig, 1000 psig, 1500 psig, 3000 psig, 5000 psig, 7500 psig

### Standard Ranges (Compound):

-15 to 75 psig, -15 to 150 psig -15 to 300 psig,

### ENVIRONMENTAL SPECIFICATIONS

#### Temperature Limits:

Storage: -20 to 70°C (-4 to 158°F)  
 Operating: -20 to 70°C (-4 to 158°F)  
 Compensated: -20 to 70°C (-4 to 158°F)

#### Temperature Effects:

Zero/Span: ±0.1%FS/°C (from 23°C reference temp.)

**Humidity:** 0-85% RH (Ranges 150 psi & below)  
 0-100% RH (Ranges 300 psi & above)

### FUNCTIONAL SPECIFICATIONS

Proof Pressure 4X Range (ranges 1500 psi & below)  
 2.5X Range (ranges 3000 psi & above)  
 Burst Pressure: 10X Range (ranges 1500 psi & below)  
 5X Range (ranges 3000 psi & below)  
 3X Range (ranges 5000 psi & above)

Withstand Voltage: 350Vac 1 minute

Insulation Voltage: 50 Vdc 100MΩ min

CE Compliance: EN61326-1: 2006, EN61326-2-3: 2006

EU RoHS Compliance

Stability: ±0.25% FS/year

### ELECTRICAL SPECIFICATIONS

#### Power Supply Requirements:

Supply Voltage: 16-36Vdc (with analog output option)  
 11-36Vdc (switch output version only)

Current Consumption: 50mAdc max

#### Switch Contacts:

User selectable NPN or PNP open collector outputs

NPN Type: 30Vdc / 80mA (max)

PNP Type: Supply Voltage 80mA (max)

Voltage Drop 1Vdc (max)

### MECHANICAL SPECIFICATIONS

**Pressure Connection:** ¼ NPT (Male)

**Connection Location:** Lower, back

**Enclosure:** Nickel plated aluminum

**Rating:** IP65 (ranges 150 psi and below)

IP67 (ranges 300 psi and above)

**Electrical Connection:** M12 connector (4 pin)

**Weight:** Approx. 150 grams

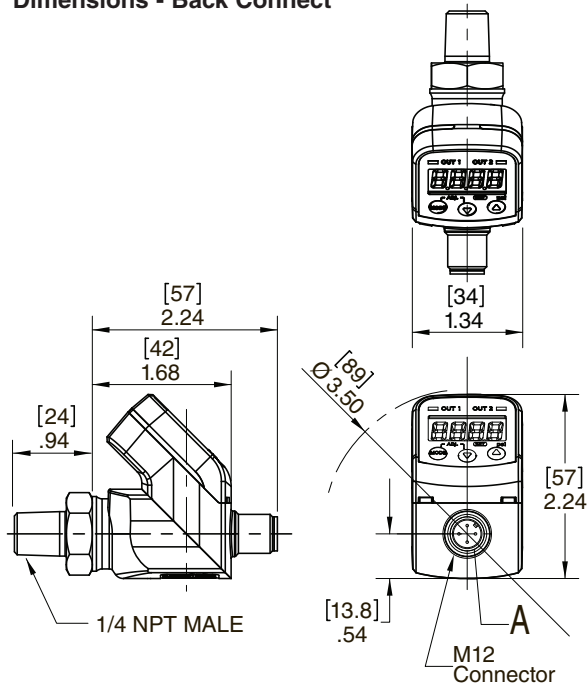
**Media:** Fluids and gases compatible with 316SS (sensor housing) and 17-4 pH SS (sensor diaphragm)



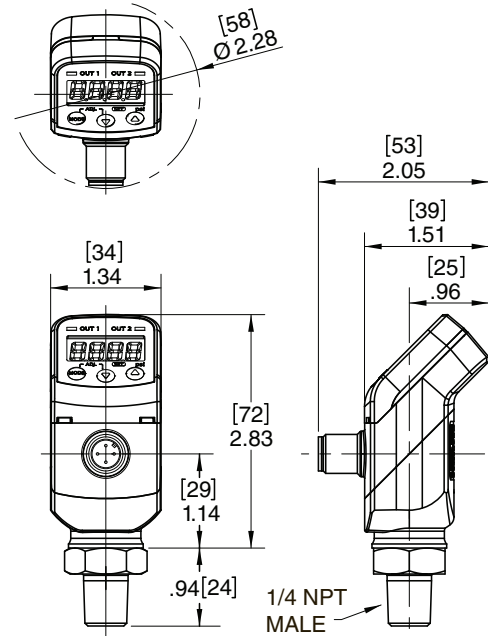
**CE**  
LOOK FOR THIS AGENCY MARK ON OUR PRODUCTS

## Model GC35 Digital Pressure Sensor

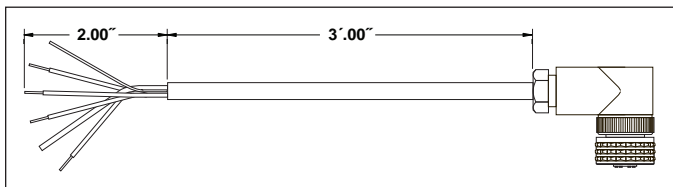
### Dimensions - Back Connect



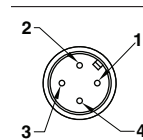
### Lower Connect



### M12 mating connector drawing 611C175-03 (90° Right Angle)



### Wiring/Pin Out



	2 Switch (No 4-20mA)	1 Switch w/4-20mA Analog Output	Pin 611C175 cable wiring color
1	Power (+)	Power (+)	Red
2	Out 2	Analog (+) Output	White
3	Power (-)	Power (-) Analog Output	Green
4	Out 1	Out 1	Black

### How To Order

<b>G C 3 5</b>	<b>7</b>					<b>X</b>
<b>Type</b> (GC35)	<b>Accuracy</b> (7) ±1.0%	<b>Connection/Location</b> (MO2L) ¼ NPT Male w/lower connect (MO2B) ¼ NPT Male w/back connect	<b>Output Signal</b> (41) 4-20mA & 1X switch (N2) 2X switch (no 4-20mA output)***	<b>Electrical Connection*</b> (EW) M12 Type (4pin)	<b>Pressure Range**</b> Gauge: (50#G)-0/50 psig (100#G)-0/100 psig (150#G)-0/150 psig (300#G)-0/300 psig (500#G)-0/500 psig (1000#G)-0/1000 psig (1500#G)-0/1500 psig (3000#G)-0/3000 psig (5000#G)-0/5000 psig (7500#G)-0/7500 psig Compound: (75#&V)-15 to 75 psig (150#&V)-15 to 150 psig (300#&V)-15 to 300 psig	<b>Options</b> (XRH) Traceable 9 Point Calibration Report

\* To obtain M12 mating connector (3 ft. cable) order part number 611C175-03. Consult factory for alternative cable lengths made to order.  
 \*\* Contact factory for other ranges.  
 \*\*\* No analog (4-20mA) output.