

Model GC30 Ultra-Compact Digital Differential Pressure Sensor



GC30



GC30 WITH INSTALLED
PANEL ADAPTOR

ACTUAL SIZE



LOOK FOR THIS
AGENCY MARK ON
OUR PRODUCTS

APPLICATIONS:

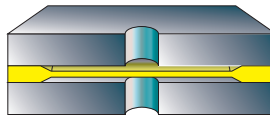
- Filter monitoring
- Clean room pressure differential
- Vacuum/suction pressure sensing & control
- Fan speed control

FEATURES:

- Ultra-compact design 1.2" x 1.2" (30mm x 30mm)
- Combined three-in-one digital pressure gauge, switch and transducer
- Simple "Push-Button" configurability allows user to adjust switch settings, analog scaling
- Numerous standard ranges available

Featuring a highly reliable variable capacitance sensor using the patented Ashcroft® SiGlas™ sensor. This ultra-thin single crystal diaphragm provides inherent sensor repeatability and stability.

SENSOR CROSS SECTION



The silicon diaphragm sensor has no glues or other organics to contribute to drift or mechanical degradation over time.

PRODUCT SPECIFICATIONS

Analog Output (1-5Vdc):

Accuracy: $\pm 1.5\%$ FS (accuracy includes effects of linearity, hysteresis and repeatability)

Response time: 50msec

Output resolution: 25mV

Analog scaling: User may configure analog output scaling to any range within full scale of sensor range

Pressure Switch Output:

Type: NPN or PNP open collector up to 30Vdc/80ma

Setting Accuracy: $\pm 1.5\%$ F.S.

Number of contacts: 2

Time delay: 5 msec –2.0 sec (by user)

Hysteresis: Variable (by user)

Switch setting: User may adjust switch actuation & deadband to any points within full scale sensor range

Display:

Type: 3½ digit, 10mm LED

Accuracy: $\pm 1.5\%$ FS + last digit

Display setting: User may re-configure display scaling, set to capture MIN or MAX value, and adjust display update rate.

Inches of Water Column (" W.C.) Ranges:

Standard Ranges (Gauge):

0 to 0.25" W.C., 0.50" W.C., 1.0" W.C., 2.5" W.C., 5.0" W.C., 10" W.C., 25" W.C.

Standard Ranges (Compound):

± 0.25 " W.C., ± 0.50 " W.C., ± 1.0 " W.C., ± 2.5 " W.C., ± 5.0 " W.C., ± 10 " W.C., ± 25 " W.C.

ENVIRONMENTAL SPECIFICATIONS

Temperature Limits:

Storage: -22 to 140°F (-30 to 60°C)

Operating: -4 to 140°F (-20 to 60°C)

Compensated: 14 to 122°F (-10 to 50°C)

Temperature Effects:

Zero/Span: (from 73°F/23°C reference temperature)

$\pm 0.09\%/^{\circ}\text{F}$ ($\pm 0.15\%/^{\circ}\text{C}$) ± 2.5 " W.C., 0/2.5" W.C. and below

$\pm 0.06\%/^{\circ}\text{F}$ ($\pm 0.10\%/^{\circ}\text{C}$) ± 5.0 " W.C., 0/5.0" W.C. and above

Humidity: 0-85% RH (Non-Condensing)

FUNCTIONAL SPECIFICATIONS

Proof pressure: 7.5psid (50kPa)

Burst pressure: 25psig (170kPa)

Max static (line) pressure: 7.5psi (50kPa)

CE Compliance: EN61326-1 2006, EN61326-2-3 2006

ELECTRICAL SPECIFICATIONS

Power Supply Requirements:

Supply voltage: 11-27Vdc

Current consumption: 30mA (max)

Switch Contacts:

(2) NPN or PNP open collector outputs

NPN Type: 30Vdc / 80mA (max)

PNP Type: voltage drop 1Vdc (max)/80mA (max)

MECHANICAL SPECIFICATIONS

Pressure Connection: 4mm barb

Enclosure: ABS, polycarbonate, aluminum

Rating: IP40

Electrical Connection: 6ft (2m) cable pigtail

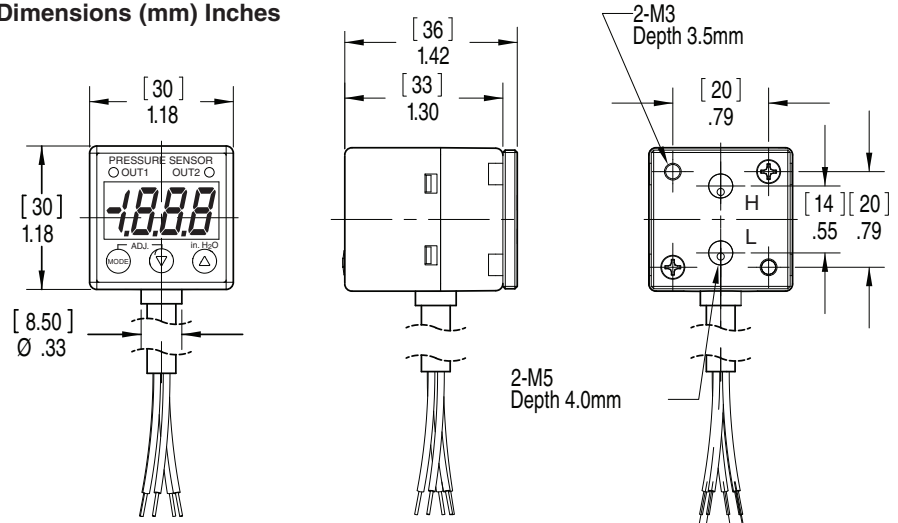
Weight: Approx. 75 grams

Mounting: Panel mounting bracket included

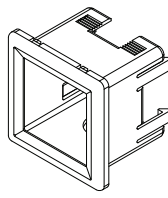
Media: Clean, dry air/gases compatible with Aluminum, ABS, Ceramic, Silicon, and Silicone RTV

Model GC30 Ultra-Compact Digital Differential Pressure Sensor

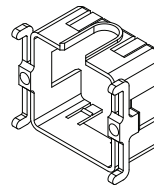
Dimensions (mm) Inches



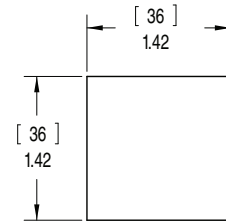
Panel Mounting Kit (included)



Panel adapter 1 (X1)

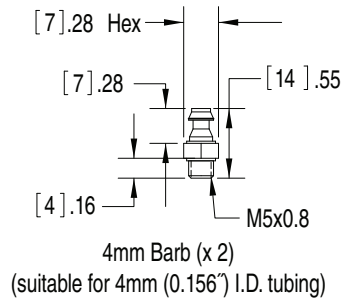


Panel adapter 2 (X1)



Panel cutout dimension

Barb Dimensions



Notes:

- Unit to be shipped with panel mount adaptor in box
- Unit to be supplied with 4mm fittings in box

How to order

G C 3 0	9	M 5 B		F 4		X
Type (GC30)	Accuracy (9) ±1.5%	Connection (M5B) 4mm ID Barb	Output Signal (1N) 1-5Vdc: Analog w/2X NPN Type switches (1P) 1-5Vdc: Analog w/2X PNP Type switches	Electrical Connection (F4) 6' (2m) cable	Pressure Range Diff. or Gauge: (P25IW) 0.25"W.C. (P5IW) 0.50"W.C. (1IW) 1.0"W.C. (2P5IW) 2.5"W.C. (5IW) 5.0"W.C. (10IW) 10"W.C. (25IW) 25"W.C. Compound: (P25IWL) ±0.25"W.C. (P5IWL) ±0.50"W.C. (1IWL) ±1.0"W.C. (2IWL) ±2.5"W.C. (5IWL) ±5.0"W.C. (10IWL) ±10"W.C. (25IWL) ±25"W.C.	Options XRH Traceable 9 Point Calibration Report